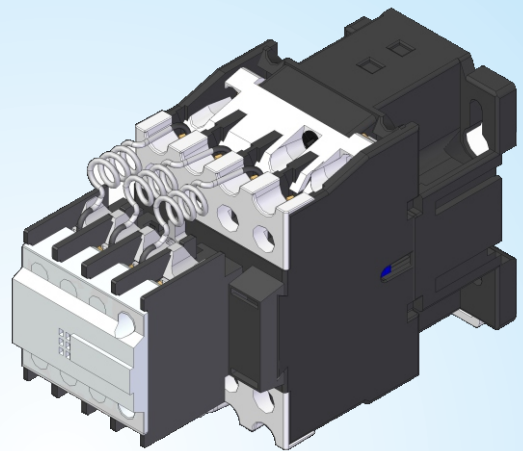


CJX4-kd系列切换电容器接触器

CJX4-kd Series Contactor For Capacitor Switching

安全 智能 灵动



CE UL CCC TÜV CB RoHS
ISO9001 ISO14001 OHSAS18001

用途 APPLICATION

CJX4-kd系列切换电容器接触器（以下简称接触器）主要用于交流50Hz（或60Hz），额定绝缘电压为690V，在AC-6b使用类别下，额定工作电压为400V时额定工作电流至87A的低压无功功率补偿设备中，通断低压无功功率补偿用的电容器组，用以调整电系统的功率因数COSΦ值。接触器附有抑制涌流装置，能有效地减少合闸涌流对电容器组的冲击和降低操作过电压。

CJX4-kd series contactor for capacitor switching in used in AC 50Hz(or 60Hz), rated insulation voltage 690V, rated current is up to 87A under rated voltage 400V and category AC-6b of low-voltage no power compensation device, for adjust power factor COSΦ Contactor attached inhibit flow device that can effectively reduce impact from trip flow and reduce operation over-voltage.

结构特点 STRUCTURE FEATURE

△ 接触器为防护式，动作机构为直动式，触头为双断点。

Contactor is protection type, direct-moving and double breaking contact terminals;

△ 接触器由一台GSC1系列交流接触器，一台转换触头组和六根限流电阻线等组成，转换触头组挂接在GSC1系列交流接触器的上方，主触头系统分上、下两层布置，上主触头接通瞬间后自行断开复位，下主触头继续闭合到位。

Contactor composite by a GSC1 AC contactor, a conversion contact group, six limiting current resistor line and other component parts, conversion contact group articulated on the above of GSC1 range AC contact, the main contact system arranged on up-low level. Up main contact disconnect and reset after making, the next main contact contains closed reset.

△ 在接触器两侧可加装辅助触头组（F3-d1）以增加辅助触头对数。

Both sides can be added auxiliary contact (F3-d1) for add the volume of auxiliary contact;

■ 触头数量：Contact volume

△ 接触器具有三对常开主触头，每对主触头分上、下两层，每对上主触头与两根限流电阻线串联后与一对下主触头对应并联。接触器本身还具有两对辅助触头（上层一对，下层一对，仅CJX4-25kd~40kd）或三对辅助触头（上层一对，下层两对，仅CJX4-50kd~125kd）。

Contactor has three pairs of normally open main contact, every main contact arranged to upper and lower level, each upper main contact series with limiting resistor line, than counterparts with one lower main contact. Contactor itself also has two pairs of auxiliary contacts (one pair upper and one pair lower, only to CJX4-25kd ~ 40kd), or three pairs of auxiliary contacts (one pair upper and two pairs lower, only to CJX4-50kd ~ 125kd).

△ 本系列产品的安装尺寸均与GSC1-d系列交流接触器对应相同。

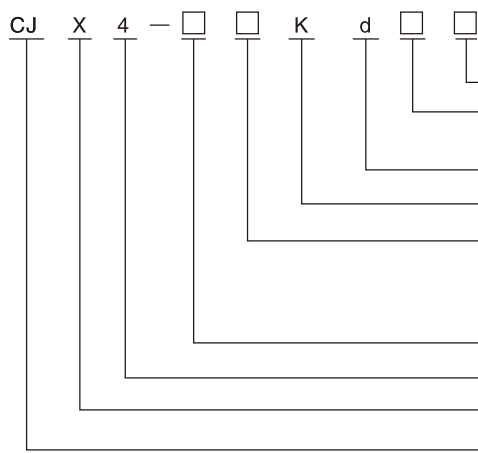
Installation dimensions of the range product, all small GSC1-d range Ac contactor.

工作原理 WORKING PRINCIPLE

当控制回路通电后，接触器吸合，串入限流电阻线的上主触头先与下主触头接通，从而达到抑制涌流作用，完成后瞬间断开复位，其间下主触头进入正常工作，而断开回路时则由下主触头完成，各司其责。因限流电阻瞬接入，所以不会造成长期的电力浪费和烧损电阻线等现象。

When control circle is making, the contactor will pull in, the upper main contact with limiting resistor line making before the lower main contact, to achieve to inhibit flow, after that, the upper main contact breaking instantly and reset. At the same time, the lower main contact start normally working, lower main contact should complete breaking circle. All have themselves responsibility. Because of the limiting resistor instantly accession, it will not cause the phenomenon of long-term electricity waste and burning resistance line.

产品型号含义 TYPE AND MEANS



湿热带产品代号：TH	Humid Tropics product code: TH
线圈电压规格代号（见表1、表2）	Coil voltage code specifications (see table 1、table2)
结构改型代号	Modified the structure of the code
表示切换电容器式	Said the switch-capacitor
辅助触头数量（见表3）	Auxiliary contact number (see table 3)
十位数表示常开触头数量	Ten-digit number that always contact
个位数表示常闭触头数量	Single-digit number that close contact
约定发热电流（见表3）	Fever current agreement (see table 3)
设计序号	Design serial number
小型	Small
交流接触器	AC contactor

表(table)1

型号 type	电源频率Hz Power frequency	线圈电压 (V) coil voltage					
		24	48	110~120	220~240	380	415
CJX4-25kd/32kd/40kd	50/60	B7	E7	F7	M7	/	/
	50	/	/	/	/	Q	/
	60	/	/	/	/	/	Q

表(table)2

型号 type	电源频率Hz Power frequency	线圈电压 (V) coil voltage							
		24	48	110	120	220	240	380	415
CJX4-50kd/60kd/80kd/125kd	50/60	B7	E7	/	/	/	/	/	/
	50	/	/	F	/	M	/	Q	/
	60	/	/	/	F	/	M	/	Q

工作条件和安装条件 WORKING CONDITION AND INSTALLATION WAY

- △ 周围空气温度-25℃ ~ +60℃； Ambient temperature: -25℃ ~ +60℃;
- △ 安装地点海拔不超过3000m; Elevation≤3000m;
- △ 最高温度为+40℃时，空气相对湿度为不超过85%，对由于温度变化偶尔产生的凝露应采取特殊的措施；
Relative humidity is not exceeding 85% at the maximum ambient temperature +40℃. Should give
Consideration to the dews, which would appear due to temperature change;
- △ 接触器应安装和使用在无显著摇摆、冲击和振动的地方；
Contactor should be installed at no significant sharking or vibration place;
- △ 接触器应按正常位置安装，安装面与垂直面倾斜度不超过±30°，安装可采用螺钉安装或卡装在35mm或75mm安装轨上。
Installed according normal place, the tilt gradient with vertical face ≤ ±30°，can mounted by screw or by 35mm、75mm
standard rail.

主要技术参数 MAIN TECHNICAL PARAMETERS

■ 主触头和辅助触头主要技术参数（见表3） Main technical parameters of main contact、auxiliary contacts

表(table)3

型号 type		CJX4-25kd	CJX4-32kd	CJX4-40kd	CJX4-50kd	CJX4-60kd	CJX4-80kd	CJX4-125kd
约定发热电流A Conventional thermal current		25	32	40	50	60	80	125
额定工作电流AC-6b 400V A Rated work current		18	24	29	36	48	58	87
可控容量 AC-6bKvar Control capacity	200~240 V	6.7	8.5	10	15	20	25	40
	400~440 V	12.5	16.7	20	25	33.3	40	60
抑制涌流能力 Inhibit flow ability (限流倍数)倍 Limited flow multiples		15						
电寿命10 ⁴ 次 Life span of trip		12			10			
机械寿命10 ⁴ 次 Machinery life span of trip		300						
最高操作频率h ⁻¹ Maximum trip frequency		300				120		
符合标准 standard		IEC60947-4-1/GB14048.1/GB14048.4/GB14048.5						
额定绝缘电压V Rated Insulation voltage		690						
接触器规格 Contactor character		CJX4- 2520kd 2511kd 2502kd	CJX4- 3220kd 3211kd 3202kd	CJX4- 4020kd 4011kd 4002kd	CJX4- 5021kd 5012kd	CJX4- 6021kd 6012kd	CJX4- 8021kd 8012kd	CJX4- 12521kd 12512kd
辅助触头 Auxiliary contact	约定发热电流A Conventional thermal current	10						
	电寿命 10 ⁴ 次 Life span of trip	AC-15 360VA DC-13 (33W)						
	可接通最小负载 Connect minimum load	24V 10mA						
限流电阻投入时间ms Limiting resistan t operation time		7~9						

线圈参数 (见表4) Coil parameters

表(table)4

型号 type		CJX4-25kd	CJX4-32kd CJX4-40kd	CJX4-50kd	CJX4-60kd	CJX4-80kd	CJX4-125kd
线圈功率VA Coil power	吸合 pull	76	110	230			
	保持 contain	10	11	32			
额定控制电源电压Us (V) Rated control power voltage		24、36、48、110、220、380					
动作电压 Move voltage		85%Us ~ 110%Us					
释放电压 Release voltage		0.2 ~ 0.75 Us					

外形尺寸、安装尺寸与接线图

OUTLINE DIMENSIONS、MOUNTING DIMENSIONS AND WIRING PICTURE

接触器的外形尺寸与安装尺寸应符合图1~图3和表5的规定

Contactor outline dimensions and mounting dimensions Following picture1 ~ picture3 and table 5

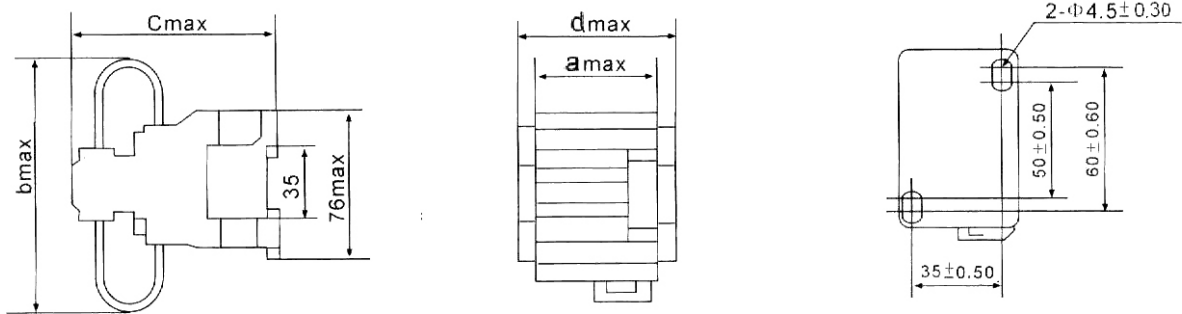


图1 CJX4-25Kd外形尺寸与安装尺寸

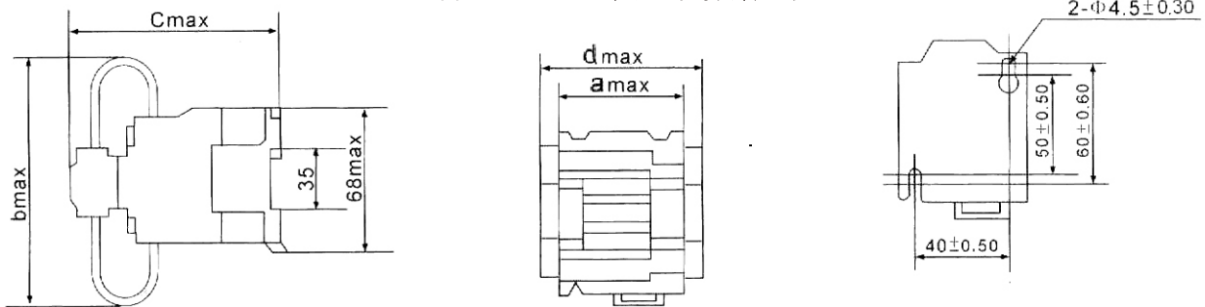


图2 CJX4-32Kd/40Kd外形尺寸与安装尺寸

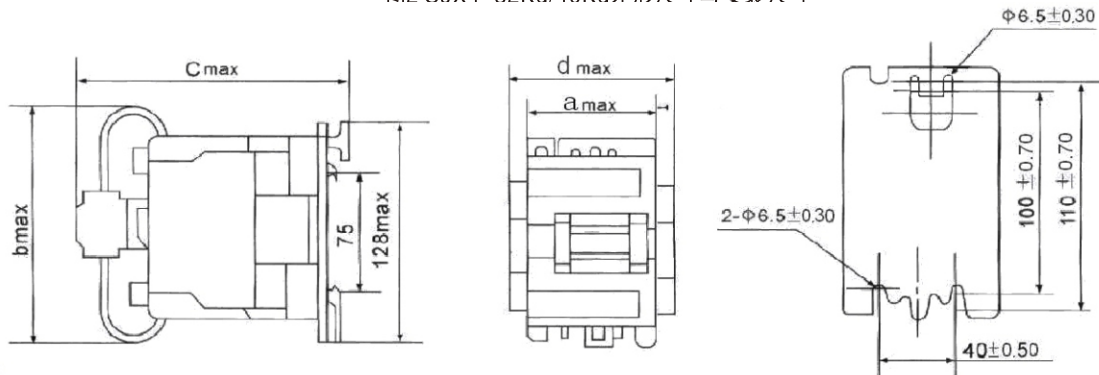


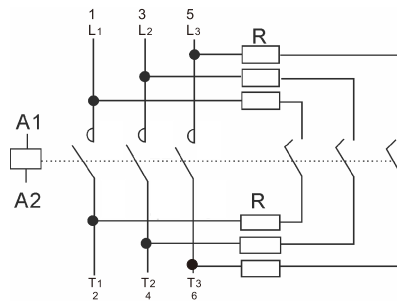
图3 CJX4-50Kd/60Kd/80Kd/125Kd外形尺寸与安装尺寸

表(table)5

接触器型号type	amax	bmax	cmax	dmax
CJX4-25kd	47	122	125	73
CJX4-32kd	59	130	135	85
CJX4-40kd	59	136	140	85
CJX4-50kd/60kd/80kd	79	150	156	105
CJX4-125kd	87	157	166	113

注(remark): d: CJX4-kd+2(F3-d1)

■ 主线路 (见图4) Main line (see picture4)



接线端子连接导线的能力 (见表6)

TERMINAL CONDUCTOR'S ABILITY TO CONNECT(SEE TABLE6)

表(table)6

接触器型号 Type	CJX4-25kd/ 32kd		CJX4-40kd		CJX4-50kd/ 60kd/80kd		CJX4-125kd		辅助电路		
	1	2	1	2	1	2	1	2	1	2	
导线根数 Wire No.	1	2	1	2	1	2	1	2	1	2	
接线端子可接线 Wiring terminal connect lead	软线mm ² Soft wire	4	4	6	6	16	16	50	25	2.5	2.5
	硬线mm ² Hard wire	6	-	10	10	25	-	50	-	4	4

订货须知 ORDER REMARK

■ 订货时应指明下列事项: In order need attention following

△ 接触器的全型号及名称, 控制线圈的频率及电压、订货数量, 若需特殊线圈电压规格的产品及TH产品可特殊订货。

Entitle type of contactor, frequency and voltage of control coil, order volume, if need special coil control power voltage character and TH product, please specially customize.

△ 例: CJX4-2511kd M7 10台

CJX4-12521kd Q7 TH 20台

Example: CJX4-2511kd M7 10sets

CJX4-12521kd Q7 TH 20sets